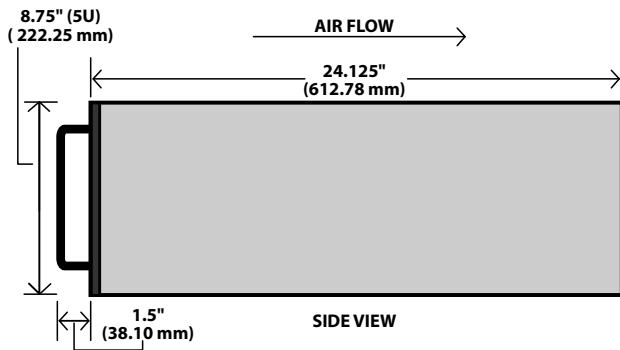




The world's leading supplier of broadband power amplifiers.

Model #: AR-30-400-1E3 Frequency Range: 30-400 MHz

## Specifications\*



Operating frequency	30-400 MHz
CW power	1000 W (min.)
Linearity (+/-1 dB, class AB )	1000 W (min.)
Gain (0 dBm input)	+60 dB (nominal)
Gain flatness	+/- 3 dB, typ.
Harmonic content (2nd/3rd)	-20 dB/ -12 dBc, typ.
Input/ Output impedance	50 ohms (nominal)
Input VSWR	Less than 2:1
Amplitude rise/fall time	100 ns, typ.
Amplitude droop	5% to 20 ms. typ., 8% max.
Phase change / output power	12° to rated power, typ. 25° max.
Phase error overpulse	5° to 10 ms duration, typ.
Noise figure	12 dB typ.
Output noise (blanked)	20 dB over thermal, typ.
Blanking delay	1 $\mu$ s, typ., on/off, TTL signal

### Communication Power Corporation

80 Davids Drive, Suite 3  
Hauppauge, New York 11788  
Phone: 631.434.7306 Fax: 631.434.7026  
email: info@cpcamps.com  
Web Site: www.CPCAMPS.COM

\* CPC reserves the right to change specifications without notice.

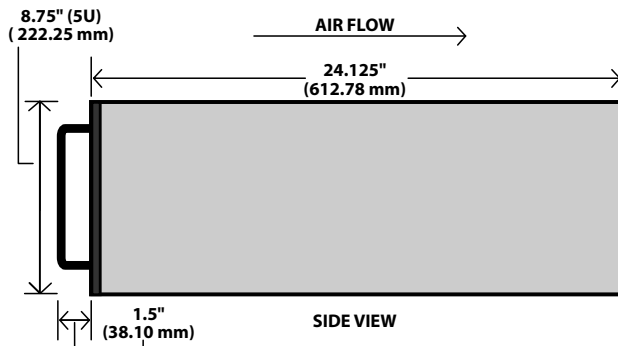


The world's leading supplier of broadband power amplifiers.

Model #:AR-30-400-IE3 Frequency Range: 30-400 MHz

## System Features

Printer  
Friendly  
Version



### Protection functions:

- Auto/manual fault reset
- Maximum forward power
- Maximum VSWR
- Over temperature
- Power supply over voltage

### Controls, front panel:

- AC power on/off
- Forward/ Reflected RF Power
- Fault reset

### Connectors, rear panel:

- AC mains, Receptacles, EMI filtered
- RF input: BNC (F)
- RF output: Type N (F)
- Noise blanking: BNC (F) dual polarity
- Interface: 25 pin D (F), EMI filtered
- Fwd/ Ref RF sample: SMA (F)
- Protective ground: threaded bolt

### Front panel indicators:

- |                     |                    |
|---------------------|--------------------|
| AC power on         | Standby mode       |
| Power supply status | RF overdrive fault |
| Thermal fault       | VSWR fault         |

### Interface functions:

- (C= Control Input F= Flag Output)
- |                  |                          |
|------------------|--------------------------|
| CW mode (C/F)    | Standby (C/F)            |
| Power supply (F) | RF overdrive (F)         |
| Thermal (F)      | VSWR (F)                 |
| Energy (F)       | Power limit select Po or |

### Communication Power Corporation

80 Davids Drive, Suite 3  
Hauppauge, New York 11788  
Phone: 631. 434. 7306 Fax: 631. 434. 7026  
email: info@cpcamps.com  
Web Site: www.CPCAMPS.COM

\* CPC reserves the right to change specifications without notice.



The world's leading supplier of broadband power amplifiers.

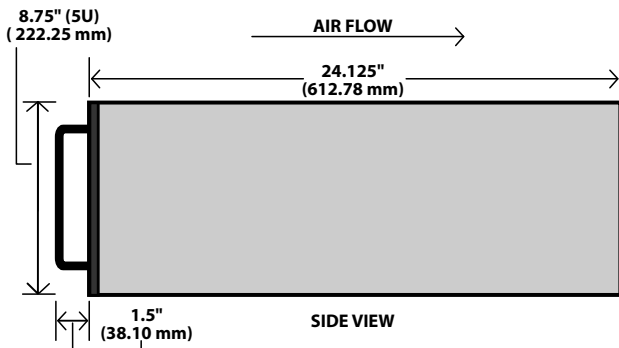
Model #: AR-30-400-IE3 Frequency Range: 30-400 MHz



### Environmental



Cooling	Internal forced air, front to back flow
Operating temperature	+10 to 40°C
AC line voltage	208 VAC, +/-10%, 47-63 Hz
Chassis size	8.75 x 19 x 26 (HWD, inches) Rack mountable
Net weight	80 lbs. (approx.)
Compliance	CE, UL 2601 upon request



#### Communication Power Corporation

80 Davids Drive, Suite 3  
Hauppauge, New York 11788  
Phone: 631. 434. 7306 Fax: 631. 434. 7026  
email: info@cpcamps.com  
Web Site: www.CPCAMPS.COM

\* CPC reserves the right to change specifications without notice.