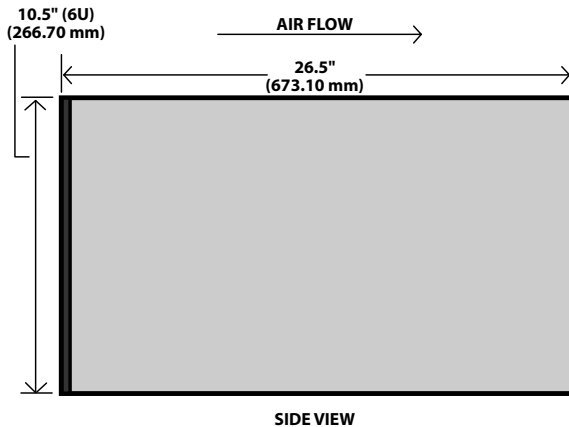




The world's leading supplier of broadband power amplifiers.

Model #: 3T4000M Frequency Range: 10-130 MHz

### Specifications\*



Operating frequency	10-130 MHz
Pulse power into 50 ohms	4000 W (min.)
CW power	150 W (min.)
Pulse width	20 msec max.
Linearity (+/-1 dB, class AB )	4000 W (min.)
Gain (0 dBm input)	+ 66 dB (nominal)
Gain flatness	± 2 dB, typ.
Harmonic content (2nd/3rd)	-20 dB/ -12 dBc, typ.
Input/ Output impedance	50 ohms (nominal)
Input VSWR	Less than 2:1
Duty cycle	10% (max.)
Amplitude rise/fall time	250 ns, typ.
Amplitude droop	5% to 20 ms. typ., 8% max.
Phase change / output power	12° to rated power, typ. 25° max.
Phase error overpulse	5° to 10 ms duration, typ.
Noise figure	12 dB typ.
Output noise (blanked)	20 dB over thermal, typ.
Blanking delay	1 μs, typ., on/off, TTL signal

#### Communication Power Corporation

80 Davids Drive, Suite 3  
Hauppauge, New York 11788  
Phone: 631. 434. 7306 Fax: 631. 434. 7026  
email: info@cpcamps.com  
Web Site: www.CPCAMPS.COM

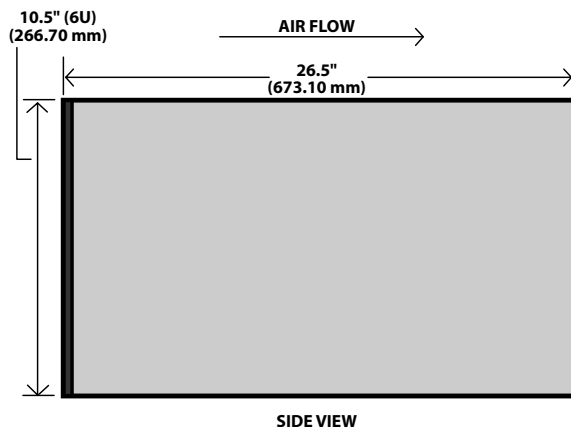
\* CPC reserves the right to change specifications without notice.



The world's leading supplier of broadband power amplifiers.

Model #: 3T4000M Frequency Range: 10-130 MHz

## System Features



### Protection functions:

- Auto/manual fault reset
- Maximum forward power
- Maximum average power
- Maximum VSWR
- Over temperature
- Power supply over voltage

### Controls, front panel:

- AC power on/off
- Forward/ Reflected RF Power
- Fault reset
- Low power mode

### Connectors, rear panel:

- AC mains, Receptacles, EMI filtered
- RF input: BNC (F)
- RF output: Type N (F)
- Noise blanking: BNC (F) dual polarity
- Interface: 25 pin D (F), EMI filtered
- Fwd/ Ref RF sample: SMA (F)
- Protective ground: threaded bolt

### Front panel indicators:

- |                    |                           |
|--------------------|---------------------------|
| AC power on        | CW mode                   |
| Standby mode       | Power supply status       |
| RF overdrive fault | Thermal fault             |
| VSWR fault         | Blanking (Gate)           |
| Energy fault       | Power limit select, Hi/Lo |

### Interface functions:

- (C= Control Input F= Flag Output)
- CW mode (C/F)      Standby (C/F)
- Power supply (F)      RF overdrive (F)
- Thermal (F)      VSWR (F)
- Energy (F)      Power limit select Po or Po/2 (C/F)

\* CPC reserves the right to change specifications without notice.

### Communication Power Corporation

80 Davids Drive, Suite 3  
Hauppauge, New York 11788  
Phone: 631. 434. 7306 Fax: 631. 434. 7026  
email: info@cpccamps.com  
Web Site: www.CPCAMPS.COM



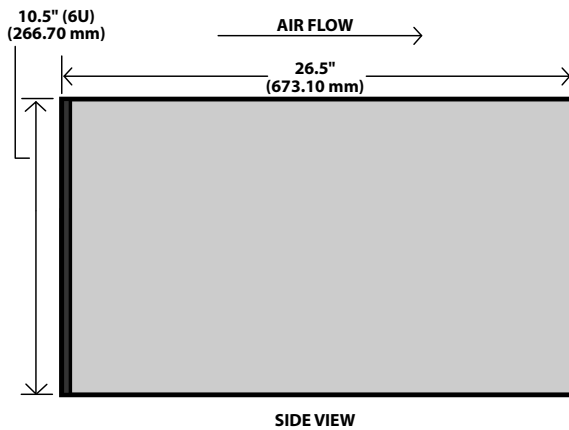
The world's leading supplier of broadband power amplifiers.

Model #: 3T4000M Frequency Range: 10-130 MHz



### Environmental

Cooling	Internal forced air, front to back flow
Operating temperature	+10 to 40°C
AC line voltage	208 VAC, +/- 10%, 47-63 Hz, single phase
Chassis size	10.5 x 19 x 26 (HWD, inches) Rack mountable
Net weight	130 lbs. (approx.)
Compliance	CE, UL 2601, RoHS



**Communication Power Corporation**

80 Davids Drive, Suite 3  
 Hauppauge, New York 11788  
 Phone: 631. 434. 7306 Fax: 631. 434. 7026  
 email: info@cpcamps.com  
 Web Site: www.CPCAMPS.COM

\* CPC reserves the right to change specifications without notice.